

Thermostatic



*Water
Harmony*



LATOSCANA
by Paire



3TCR690 Chrome finish

THERMOSTATIC VALVE (A)

Safely and precisely pre-set the comfort level of your water. The valve works as simply as a thermostat on your air conditioner. The valve also features an anti-scald stop button for extra safety.



3TPW690 Brushed finish



USCR425 Chrome finish

DIVERTER VALVE (B)

Used to divert water from one outlet to another.



USPW425 Brushed finish



50CR753 Chrome finish

SHOWER HEAD (D)

The Latoscana showerhead has 3 different sprays: SOFT, PULSE and AERATED. The swivel mount arm also allows you to adjust the direction of the spray.



50PW753 Brushed finish



USCR400 Chrome finish

VOLUME CONTROL (F)

These valves can provide separate on/off controls for each outlet in your showering experience.



USPW400 Brushed finish



LATOSCANA
by Pairi

- Solid Brass Construction
- Ceramic Disc Valve
- Safety Stop Limit
- High Water Flow Rate
- Anti-scald Technology
- Built-in Volume Control Valve

Standard

ASME /ANSI A112.18.1M

ANSI /ASSE 1016

IAPMO LISTED

CSA LISTED

Available Finishes

Chrome

Brushed Nickel

*Water
Harmony*





50CR721 Chrome finish



50PW721 Brushed finish

BODY JETS (E)

The Latoscana body jet kit consists of three separate jets which can be adjusted vertically or horizontally. There are two spray modes for added luxury.



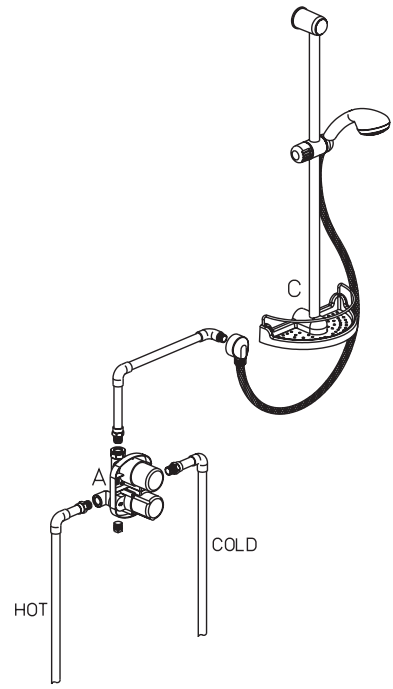
USCR430 Chrome finish



USPW430 Brushed finish

BATH SPOUT (G)

Optional tub spout for bath.



OPTION 1
Thermostatic Valve
Slide Bar Kit



50CR124 Chrome finish

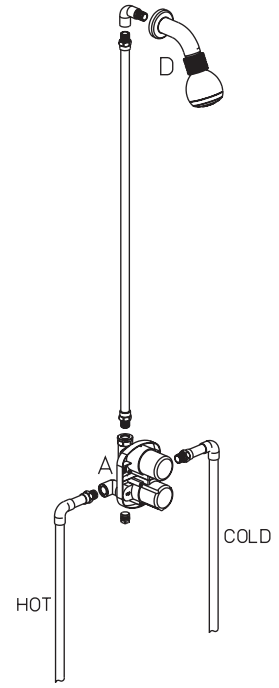


50PW124 Brushed finish

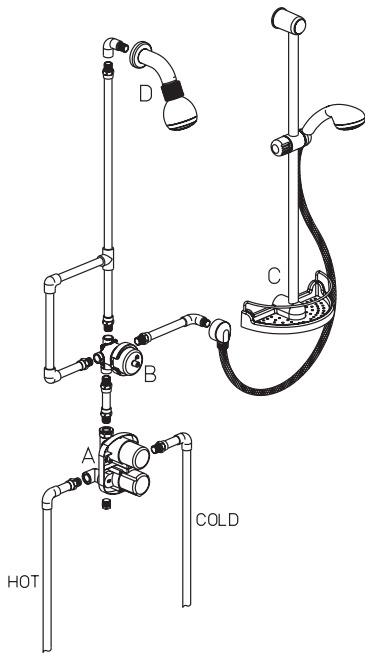
SLIDE BAR (C)

Complete set includes 33" bar, adjustable handshower with 78" hose, soap holder, wall outlet and includes an extra wall mounted holder for the handshower.



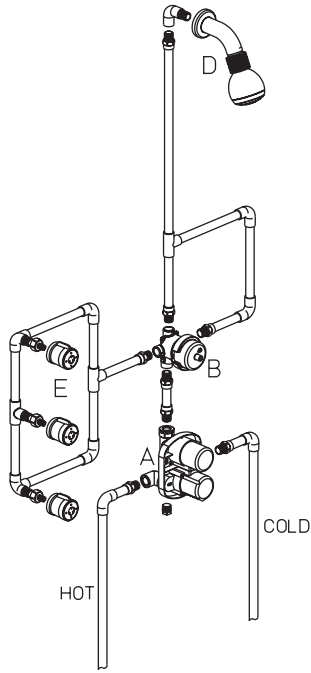


OPTION 2
Thermostatic Valve
Showerhead And Arm



OPTION 3
Thermostatic Valve
Diverter Valve
Slide Bar Kit
Showerhead And Arm

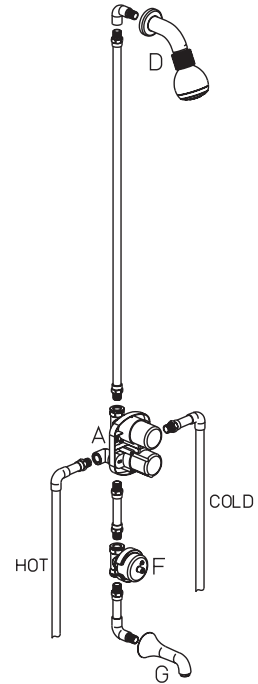




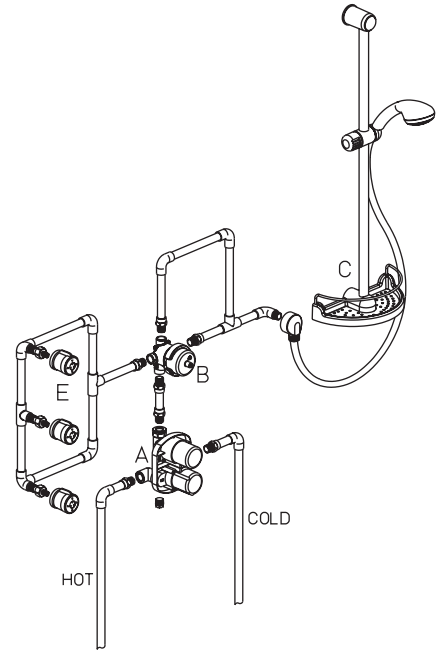
OPTION 4
 Thermostatic Valve
 Diverter Valve
 Showerhead And Arm
 Body Jet Kit (3 pcs)



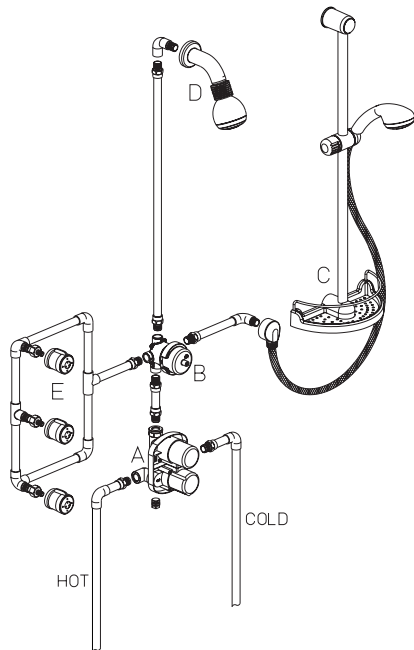
*Water
 Harmony*



OPTION 5
 Thermostatic Valve
 Showerhead And Arm
 Volume Control
 Bath Tub Spout

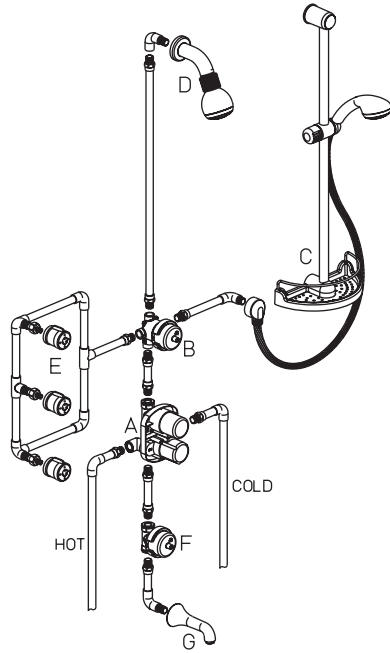


OPTION 6
 Thermostatic Valve
 Diverter Valve
 Slide Bar Kit
 Body Jet Kit (3 pcs)



OPTION 7
 Thermostatic Valve
 Diverter Valve
 Showerhead And Arm
 Slide Bar Kit
 Body Jet Kit (3 pcs)





- OPTION 8**
 Thermostatic Valve
 Diverter Valve
 Showerhead And Arm
 Slide Bar Kit
 Body Jet Kit (3 pcs)
 Volume Control
 Bath Tub Spout



*Water
 Harmony*



Why use a thermostatic shower mixer?

Thermostatic Shower Mixers have a built-in thermostat which controls the temperature of the water. This means that the water temperature is unaffected by other factors which may affect water supply to the shower, such as a washing machine or someone flushing a toilet. The Latoscana thermostatic valve features a built-in temperature stop to prevent accidental scalding. This can be overridden, but it is designed to ensure that a temperature fluctuation does not happen accidentally.

Water Harmony

In addition to the safety considerations, thermostatic valves are high performance valves. Thermostatic valves offer much higher water flow than traditional pressure balanced valves. This makes them ideal for running multiple shower outlets, such as body sprays and handshowers simultaneously.

PAINI US - 800 ELLIS MILL ROAD SUITE D - 08028 GLASSBORO NJ USA - PHONE: 856 881 7890 - www.paini-usa.com

